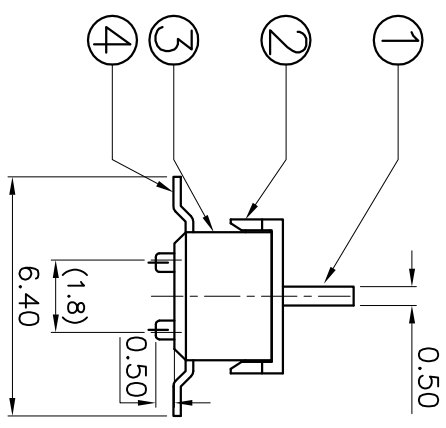
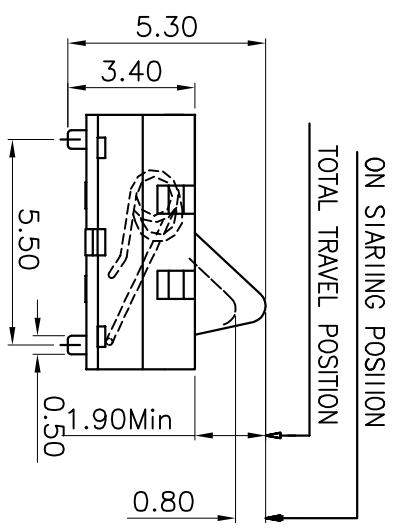


Circuit Diagram



NOTE:  
 Rating: DC 5V 1mA  
 Operating Force: 50±15gf  
 Lifetime: 100,000 Cycles

ITEM	PART NAME	TER'NO.	QTY.	MATERIAL	FINISHING	REMARK
⑤	Contact Spring	—	1	Phosphor Bronze	Ag Plated	—
④	Terminal	—	4	Phosphor Bronze	Ag Plated	—
③	Base	—	1	NYLON	Black	—
②	Cover	—	1	NYLON	Black	—
①	Slider	—	1	NYLON	White	—

APPROVALS		DATE
DRAWN	S.L.L	2020.1.05

ECN NO.	REV.	DATE.	DESCRIPTION.	CHANGE.	CHECK.	APPRO.
	A		NEW			

APPROVALS		DATE	TITLE:	DETECTOR SWITCHS	
DRAWN	S.L.L	2020.1.05			
APPROVALS			PART NO.	K5-1664SA-01	
TOLERANCES ARE	30 <sup>±0.15</sup>	±0.30	UNIT: mm	SCALE: 1:1	PROJ.
	10 <sup>±0.30</sup>	±0.20			
	5 <sup>±0.10</sup>	±0.15	DRAWING NO.		SHEET 1 OF 1
	~ 5	±0.10			